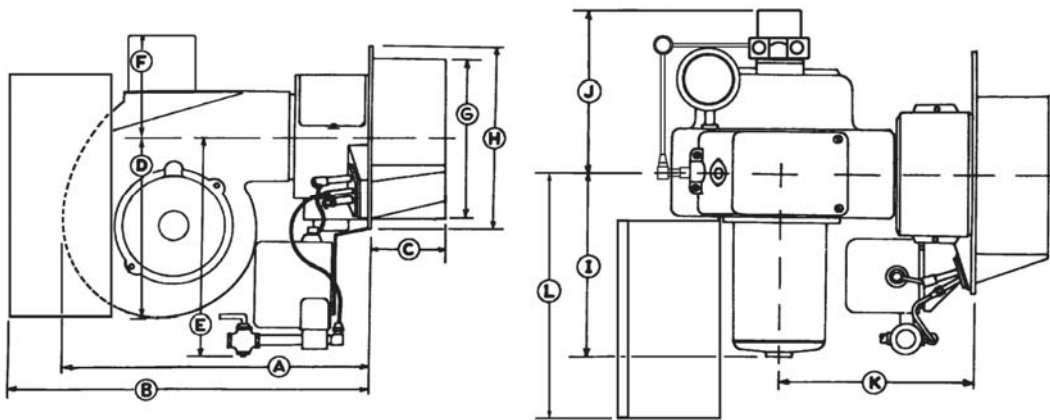


Capacities and Specifications

Size	Burner Capacities ⁽¹⁾			Motor 3450 RPM HP	Gas Train Size
	Natural Gas MBH	#2 Oil GPH	Boiler HP		
20	840	6	20	1/3	1"
30	1,260	9	30	1/2	1 1/4"
40	1,680	12	40	3/4	1 1/4"
50	2,100	15	50	3/4	1 1/2"
60	2,500	18	60	3/4	1 1/2"
80	3,360	24	80	1	1 1/2"
100	4,200	30	100	2	2"
125	5,250	38	125	3	2"
150	6,300	45	150	3	2 1/2"
200	8,400	60	200	5	2 1/2"
250	10,500	75	250	5	2 1/2"

(1) Gas input based on 1,000 BTU/CF gas & 0.64 specific gravity. Oil input based on No. 2 CSG, 140,000 BTU/Gal. Boiler capacities based on minimum 80% combustion efficiency. Capacity rated against +0.75" w.c. furnace pressure. 60 cycle current at sea level.

Dimensions (Inches)



Size	A	B	C	D	E	F	G	H	I	J	K	L*
20	16 7/8	23	4 3/8	8	9 3/4	7	6 3/4	12 1/2	11 1/4	9	17 7/8	16 1/2
30-40	17	23	4 3/8	10 3/4	11	7 3/8	9 1/8	15 1/2	13	10 7/8	12 3/8	16 1/2
50-100	23	29	4 3/8	15 1/8	12 1/2	8	11 1/8	17 1/2	15 1/2	12 1/8	14 3/8	17 1/2
125-250	30 5/8	33 3/4	4 3/8	17 1/2	15 1/2	8 3/4	14	20	14 3/4	10 7/8	19 3/8	18 1/2

*The control panel is optional on many models, but it is shown here for maximum allowance

Note: All specifications and dimensions are subject to change without notice. Always consult factory for up to date changes and information.

S.T. Johnson Company

925 Stanford Ave. • Oakland, CA 94608 • USA

Phone (510) 652-6000 • Fax (510) 652-4302

www.johnsonburners.com

Your authorized S.T. Johnson distributor