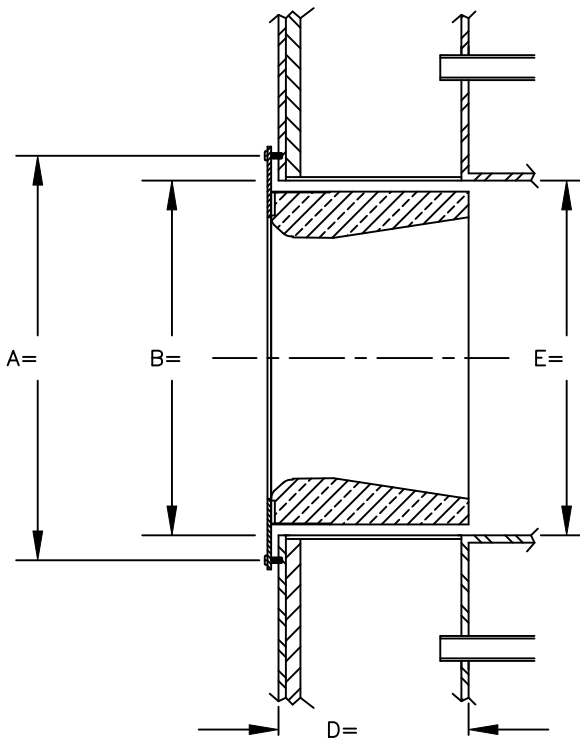


REFRACTORY ADAPTOR DIMENSIONAL DATA
FOR SCOTCH MARINE/FIRETUBE BOILERS

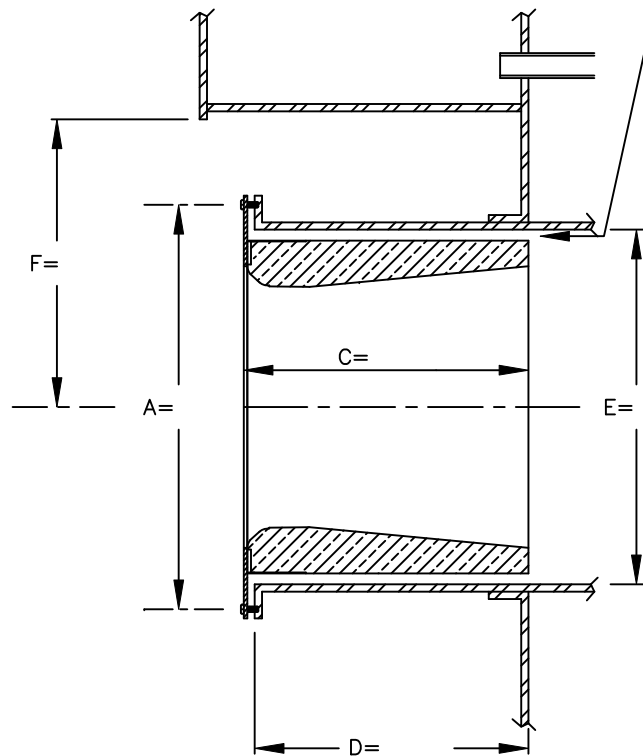
| | |
|--------------|----------|
| DATE: | |
| BY: | COMPANY: |
| JOB NAME: | |
| BOILER MAKE: | |
| MODEL: | |
| HEAT INPUT: | |

- A - BOLT CIRCLE DIAMETER
- B - BURNER OPENING INTERNAL DIAMETER
- C - REFRACTORY DEPTH
- D - MORRISON TUBE EXTENSION DEPTH
- E - MORRISON TUBE INTERNAL DEPTH

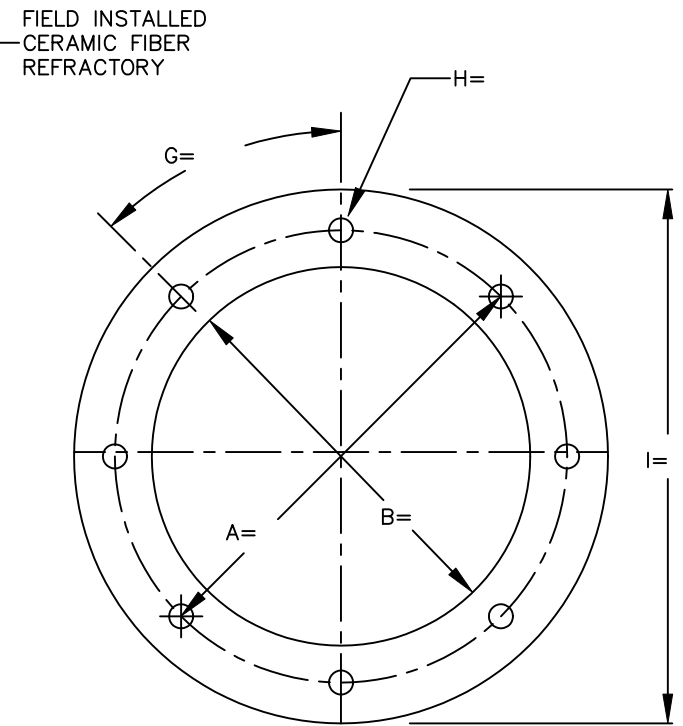
- F - OPENING CENTERLINE TO BOTTOM OF SMOKEBOX TURNAROUND
- G - TYPICAL DEGREE OF ORIENTATION
- H - SIZE AND NUMBER OF HOLES
- I - FLANGE OUTSIDE DIAMETER



VIEW OF FURNACE TUBE THRU TURNAROUND



VIEW OF FURNACE TUBE EXTENSION



FRONT VIEW OF
OPENING OF BOILER

| | | |
|---|-----------------------------------|-----------------------|
| S.T. JOHNSON CO OAKLAND, CA USA TEL: 510 652 6000 FAX: 510 652 4302 www.johnsonburners.com | TITLE DIMENSIONAL DATA INQUIRY | DATE 7-9-09 |
| | FOR FIRETUBE BOILERS | DRWG NO. A-8425 |