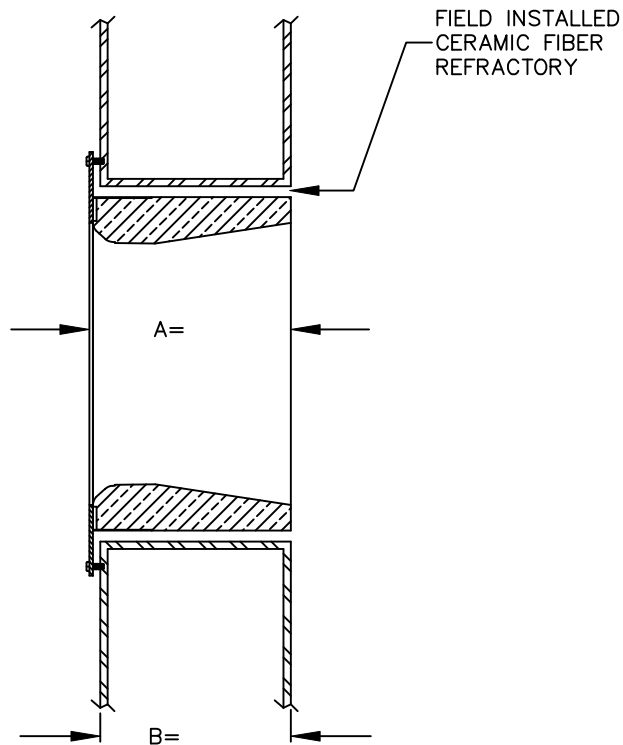


REFRACTORY ADAPTOR DIMENSIONAL DATA
FOR FIREBOX TYPE BOILERS

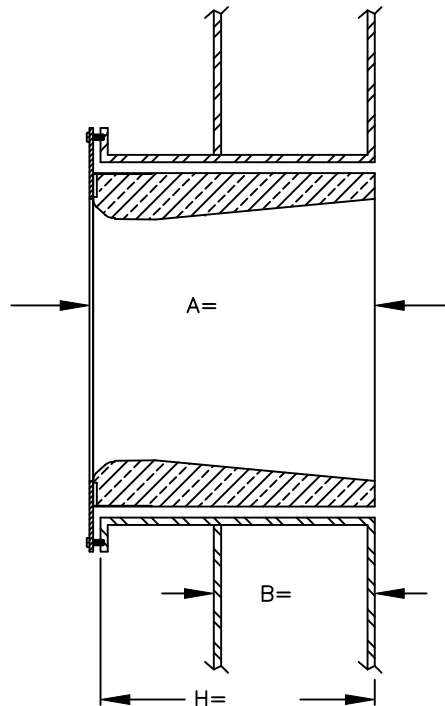
DATE:	
MEASURED BY:	COMPANY:
JOB NAME:	
BOILER MAKE:	
MODEL:	
HEAT INPUT:	

- A - REFRACTORY DEPTH
- B - WATER LEG DEPTH
- C - TYPICAL DEGREE OF ORIENTATION
- D - SIZE AND NUMBER OF HOLES

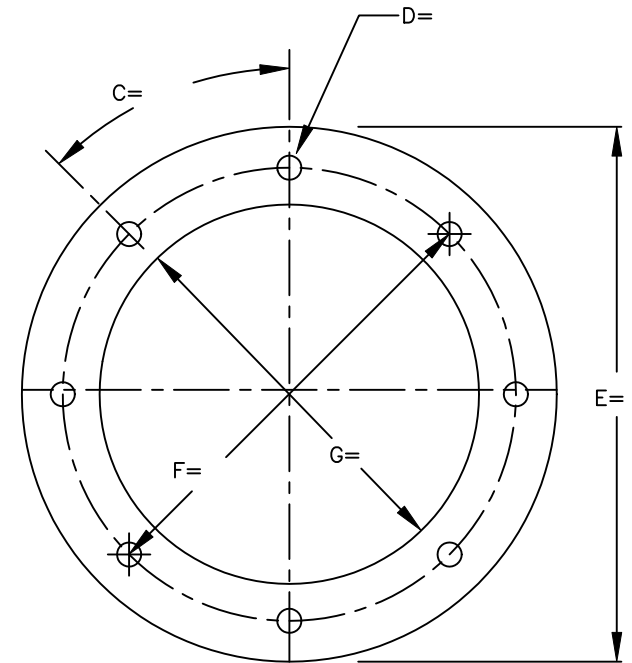
- E - FLANGE OUTSIDE DIAMETER
- F - BOLT CIRCLE DIAMETER
- G - BURNER OPENING INTERNAL DIAMETER
- H - MOUNTING RING DEPTH



SIDE VIEW OF FIREBOX BOILER



SIDE VIEW OF FIREBOX BOILER
W/EXTENDED MOUNTING FLANGE



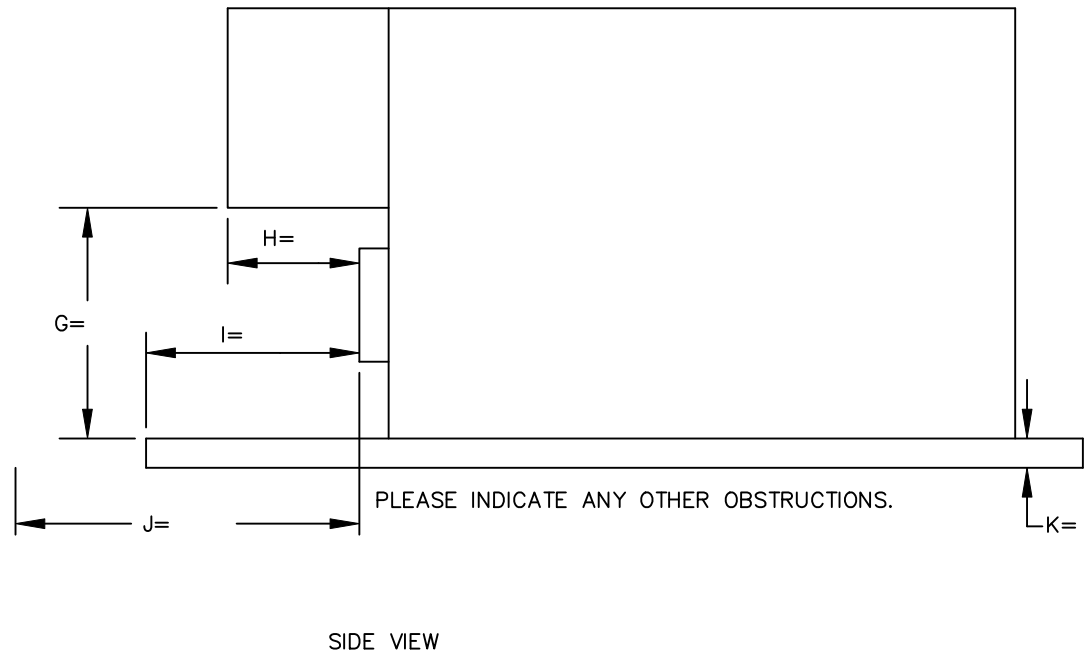
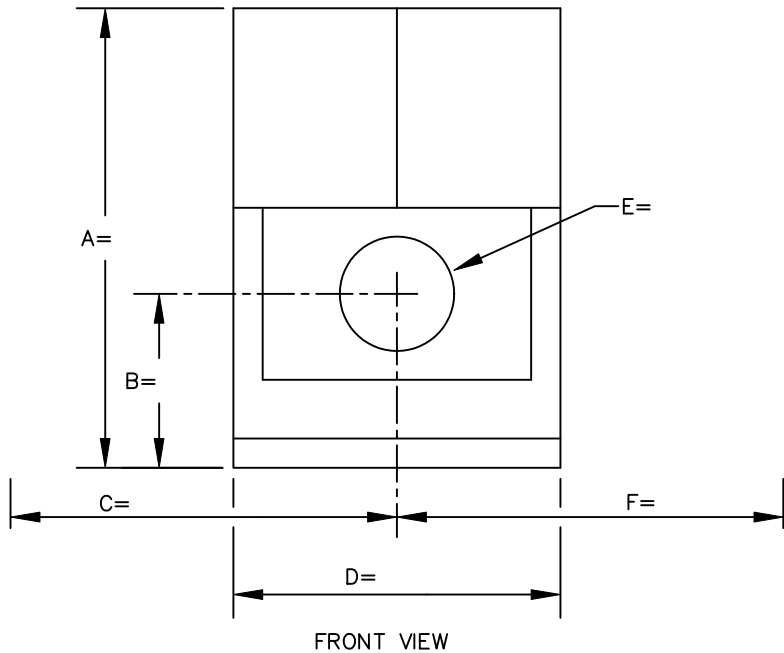
FRONT VIEW OF
OPENING OF BOILER

S.T. JOHNSON CO OAKLAND, CA USA TEL: 510 652 6000 FAX: 510 652 4302 www.johnsonburners.com	TITLE DIMENSIONAL DATA INQUIRY	DATE 7-9-09
	FOR FIREBOX BOILERS	DRWG NO. A-8426 Page 1 of 2

DIMENSIONAL DATA
FOR FIREBOX TYPE BOILERS

DATE:	
MEASURED BY:	COMPANY:
JOB NAME:	
BOILER MAKE:	
MODEL:	
HEAT INPUT:	

- A – DISTANCE FROM FLOOR TO TOP OF BOILER
- B – TUBE CENTERLINE TO FLOOR
- C – CLEARANCE ON BOILER LEFT SIDE
- D – BASE WIDTH
- E – TUBE DIAMETER
- F – CLEARANCE ON BOILER RIGHT SIDE
- G – TOP OF BASE TO BOTTOM OF SMOKE BOX
- H – MOUNTING PLATE TO END OF SMOKE BOX
- I – MOUNTING PLATE TO END OF BASE
- J – CLEARANCE ON BOILER FRONT
- K – BASE HEIGHT



S.T. JOHNSON CO OAKLAND, CA USA TEL: 510 652 6000 FAX: 510 652 4302 www.johnsonburners.com	TITLE DIMENSIONAL DATA INQUIRY	DATE 7-9-09
	FOR FIREBOX BOILERS	DRWG NO. A-8426 Page 2 of 2